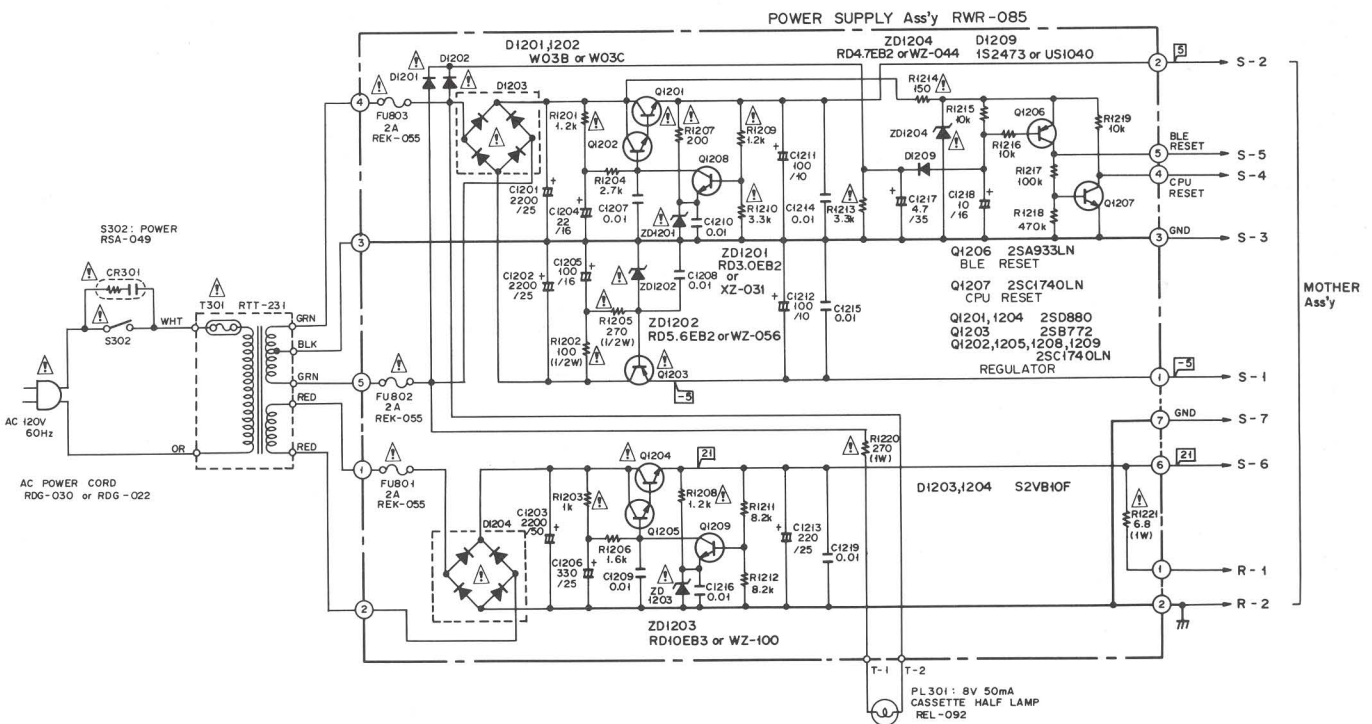
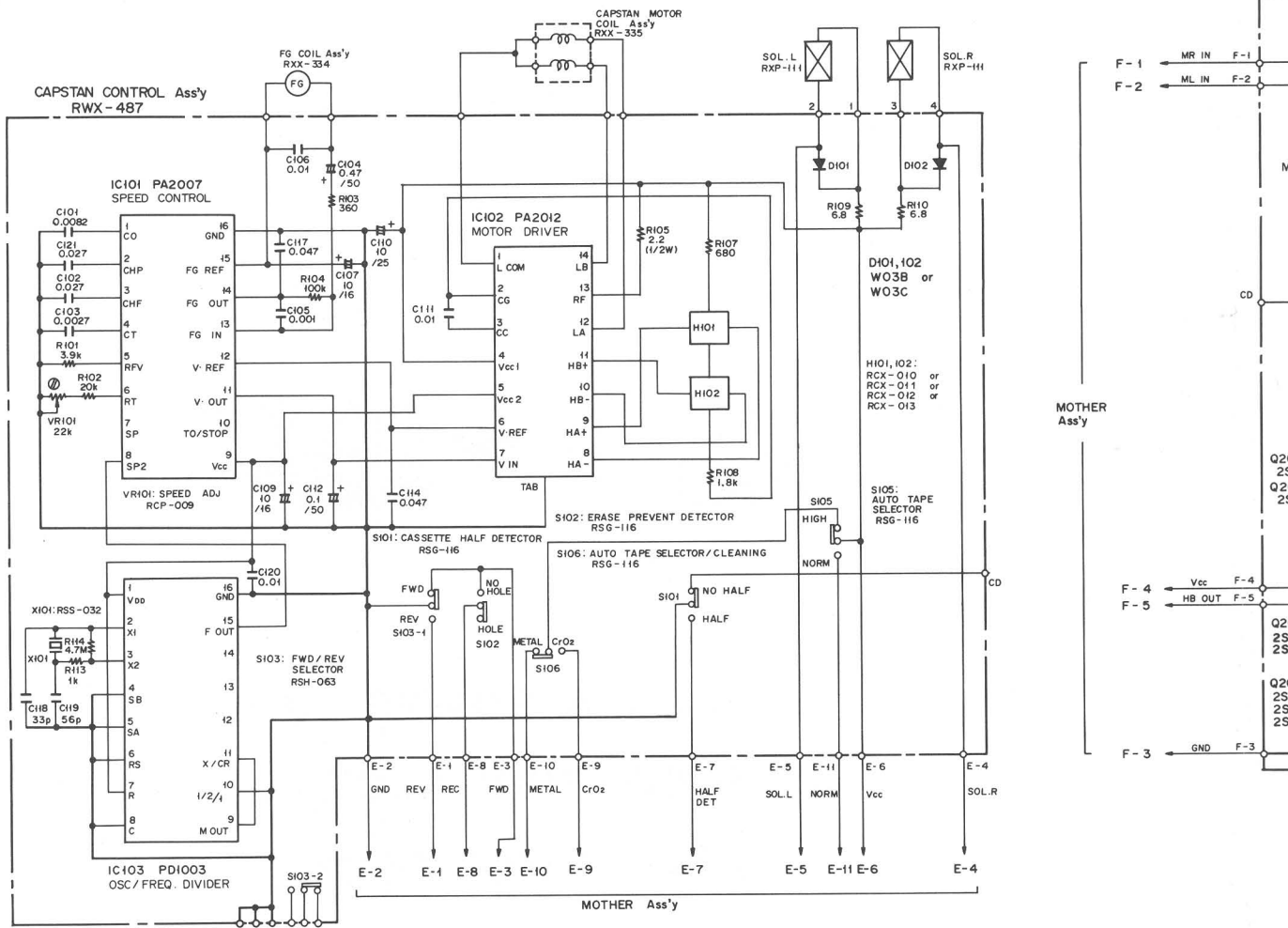


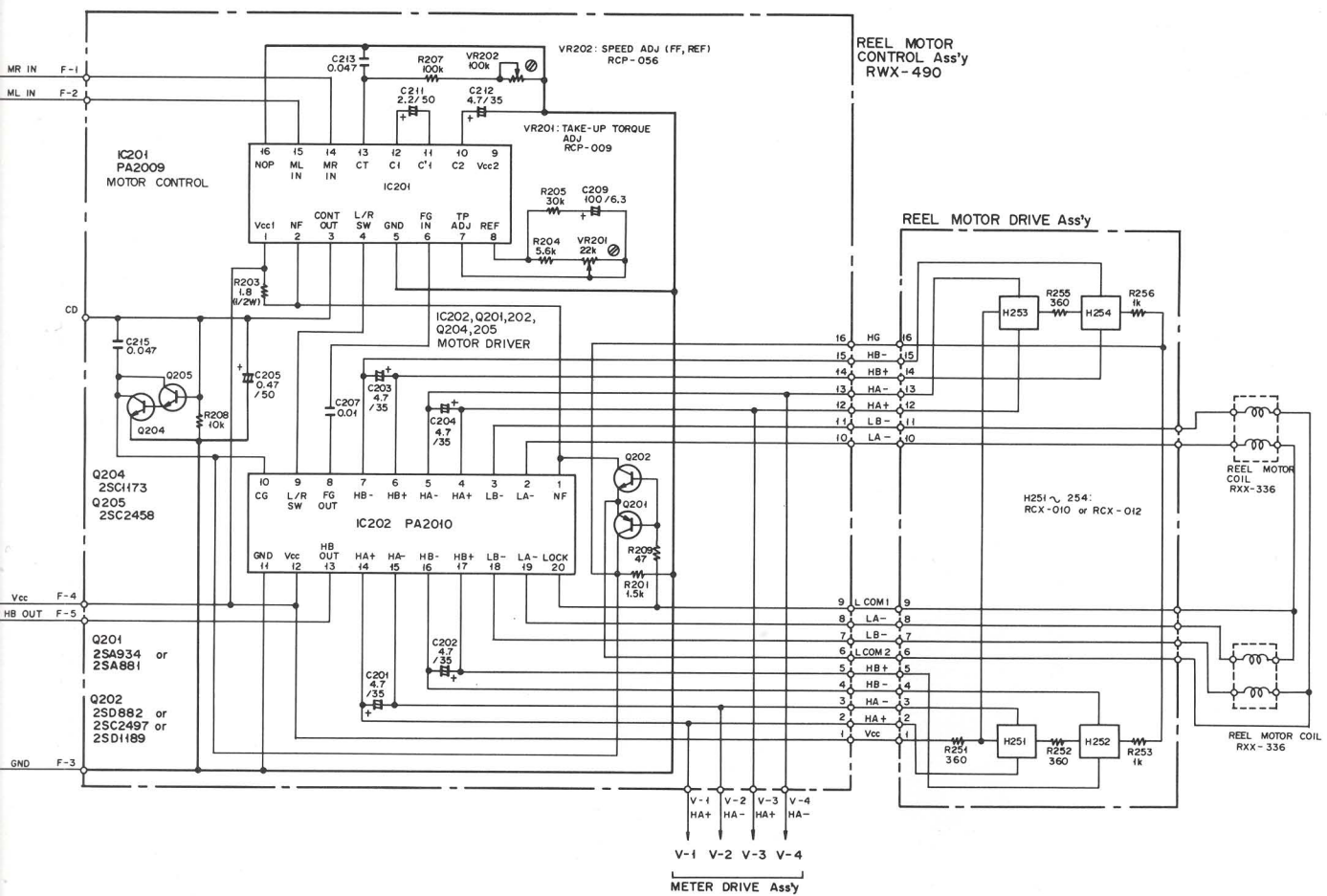
**SCHEMATIC DIAGRAM**

# **CT-9R / KU**

**1 MOTOR DRIVE & POWER SUPPLY SECTION**

## 1 MOTOR DRIVE & POWER SUPPLY SECTION





1. RESISTORS:  
Indicated in  $\Omega$ ,  $\frac{1}{2}W$ ,  $\pm 5\%$  tolerance unless otherwise noted k : k $\Omega$ , M : M $\Omega$ , (F) :  $\pm 1\%$ , (G) :  $\pm 2\%$ , (K) :  $\pm 10\%$ , (M) :  $\pm 20\%$  tolerance
  2. CAPACITORS:  
Indicated in capacity ( $\mu F$ )/voltage (V) unless otherwise noted p : pF  
Indication without voltage is 50V except electrolytic capacitor.
  3. VOLTAGE  
 : DC voltage (V) at no input signal
  4. OTHERS:  
 : Adjusting point.  
The mark found on some component parts indicates the importance of the safety factor of the part. Therefore, when replacing, be sure to use parts of identical designation.
- SWITCHES:
- |                                     |   |
|-------------------------------------|---|
| S101 : CASSETTE HALF DETECTOR       | <u>NO HALF</u> - HALF                   |
| S102 : ERASE PREVENT DETECTOR       | <u>HOLE</u> - NO HOLE                   |
| S103 : FWD/ REV SELECTOR            | <u>FWD</u> - REV                        |
| S105 : AUTO TAPE SELECTOR           | <u>NORM</u> - HIGH                      |
| S106 : AUTO TAPE SELECTOR/ CLEANING | <u>METAL/OFF</u> - CrO <sub>2</sub> /ON |
| S302 : POWER                        | <u>ON</u> - OFF                         |

The underlined indicates the switch position.

This is the basic schematic diagram, but the actual circuit may vary due to improvements in design.

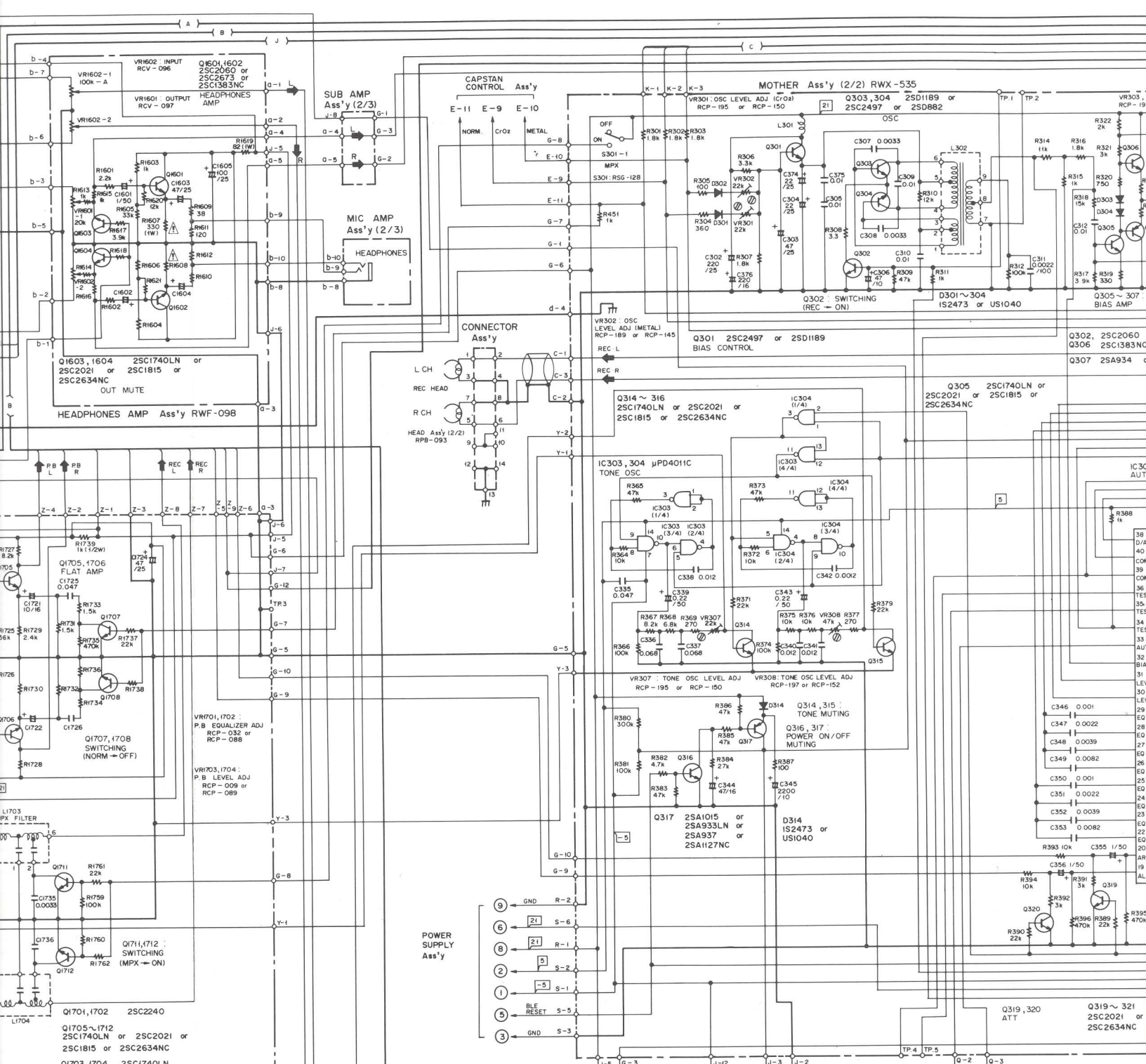
MOTHER Ass'y

**SCHEMATIC DIAGRAM**

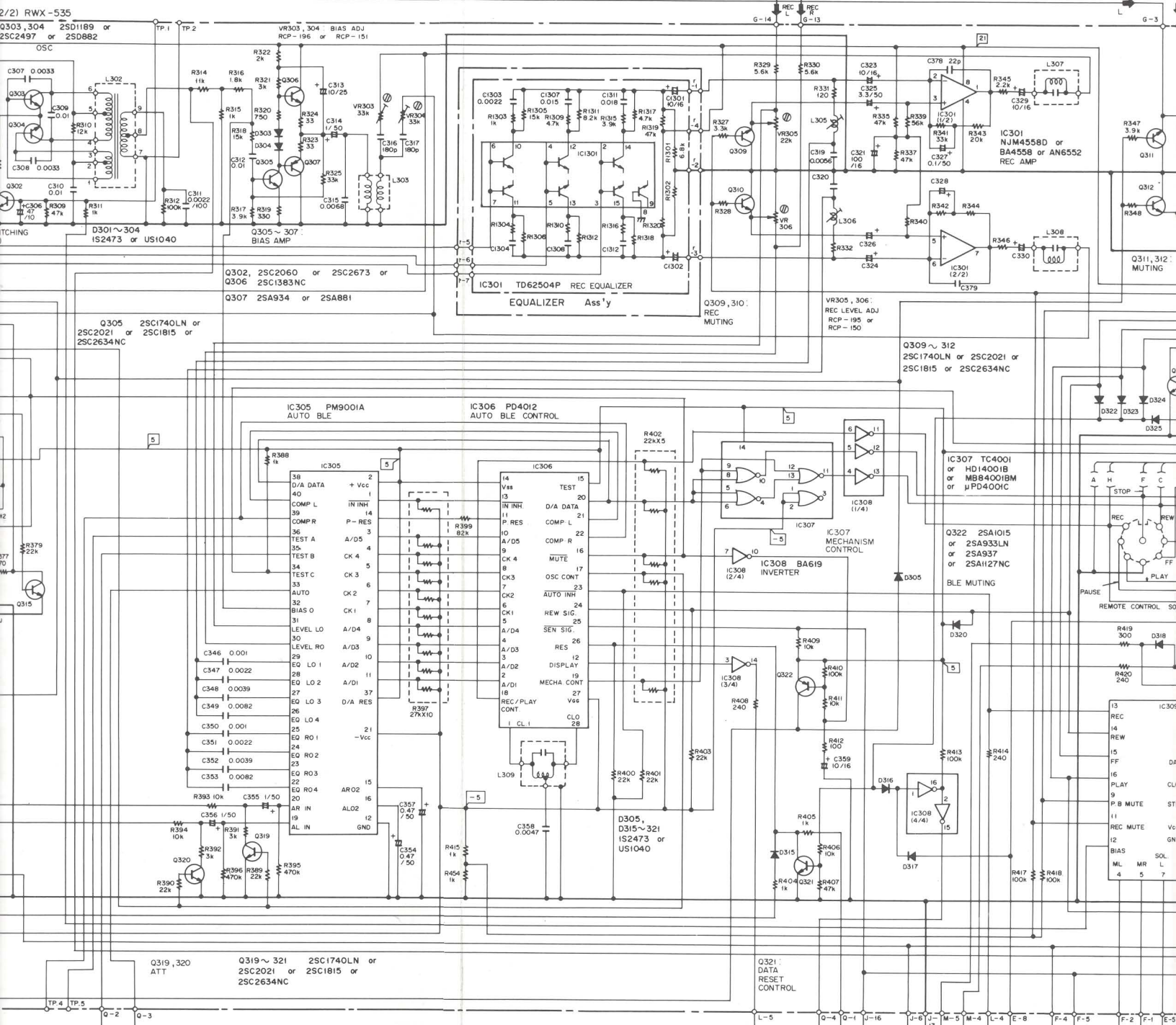
# **CT-9R** / KU

**2** SIGNAL & CONTROL SECTION

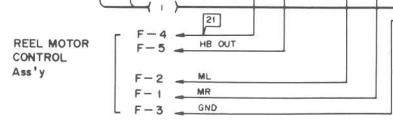


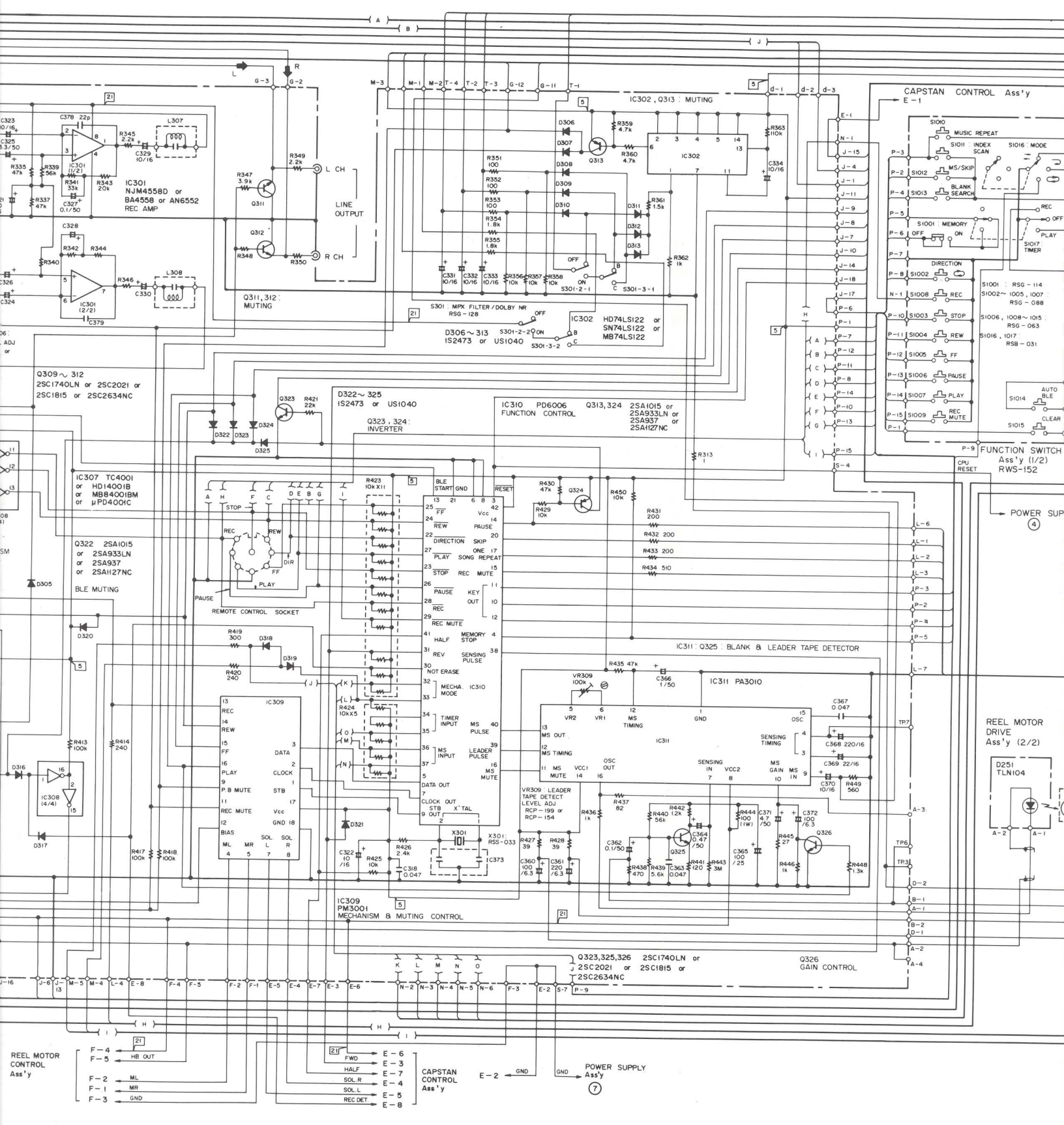


- SWITCHES:**
- |          |            |                 |       |              |          |
|----------|------------|-----------------|-------|--------------|----------|
| S301 - 1 | MPX FILTER | ON - OFF        | S1005 | FF           | ON - OFF |
| S301 - 2 | DOLBY NR   | ON - OFF        | S1006 | PAUSE        | ON - OFF |
| S301 - 3 | DOLBY NR   | B TYPE - C TYPE | S1007 | PLAY         | ON - OFF |
| S1001    | MEMORY     | ON - OFF        | S1008 | REC          | ON - OFF |
| S1002    | DIRECTION  | ON - OFF        | S1009 | REC MUTE     | ON - OFF |
| S1003    | STOP       | ON - OFF        | S1010 | MUSIC REPEAT | ON - OFF |
| S1004    | REW        | ON - OFF        | S1011 | INDEX SCAN   | ON - OFF |



- |        |       |              |          |       |              |          |       |                |               |
|--------|-------|--------------|----------|-------|--------------|----------|-------|----------------|---------------|
| OFF    | S1005 | FF           | ON - OFF | S1012 | MS/SKIP      | ON - OFF | S1500 | INPUT SELECTOR | LINE - MIC    |
| OFF    | S1006 | PAUSE        | ON - OFF | S1013 | BLANK SEARCH | ON - OFF | S1501 | MONITOR        | TAPE - SOURCE |
| C TYPE | S1007 | PLAY         | ON - OFF | S1014 | AUTO BLE     | ON - OFF |       |                |               |
| OFF    | S1008 | REC          | ON - OFF | S1015 | CLEAR        | ON - OFF |       |                |               |
| OFF    | S1009 | REC MUTE     | ON - OFF | S1016 | MODE         | ON - OFF |       |                |               |
| OFF    | S1010 | MUSIC REPEAT | ON - OFF | S1017 | TIMER        | ON - OFF |       |                |               |
| OFF    | S1011 | INDEX SCAN   | ON - OFF |       |              |          |       |                |               |
- The underlined indicates the switch position.
- REC - OFF - PLAY





REEL MOTOR CONTROL Ass'y  
 F-4 HB OUT  
 F-5  
 F-2 ML  
 F-1 MR  
 F-3 GND

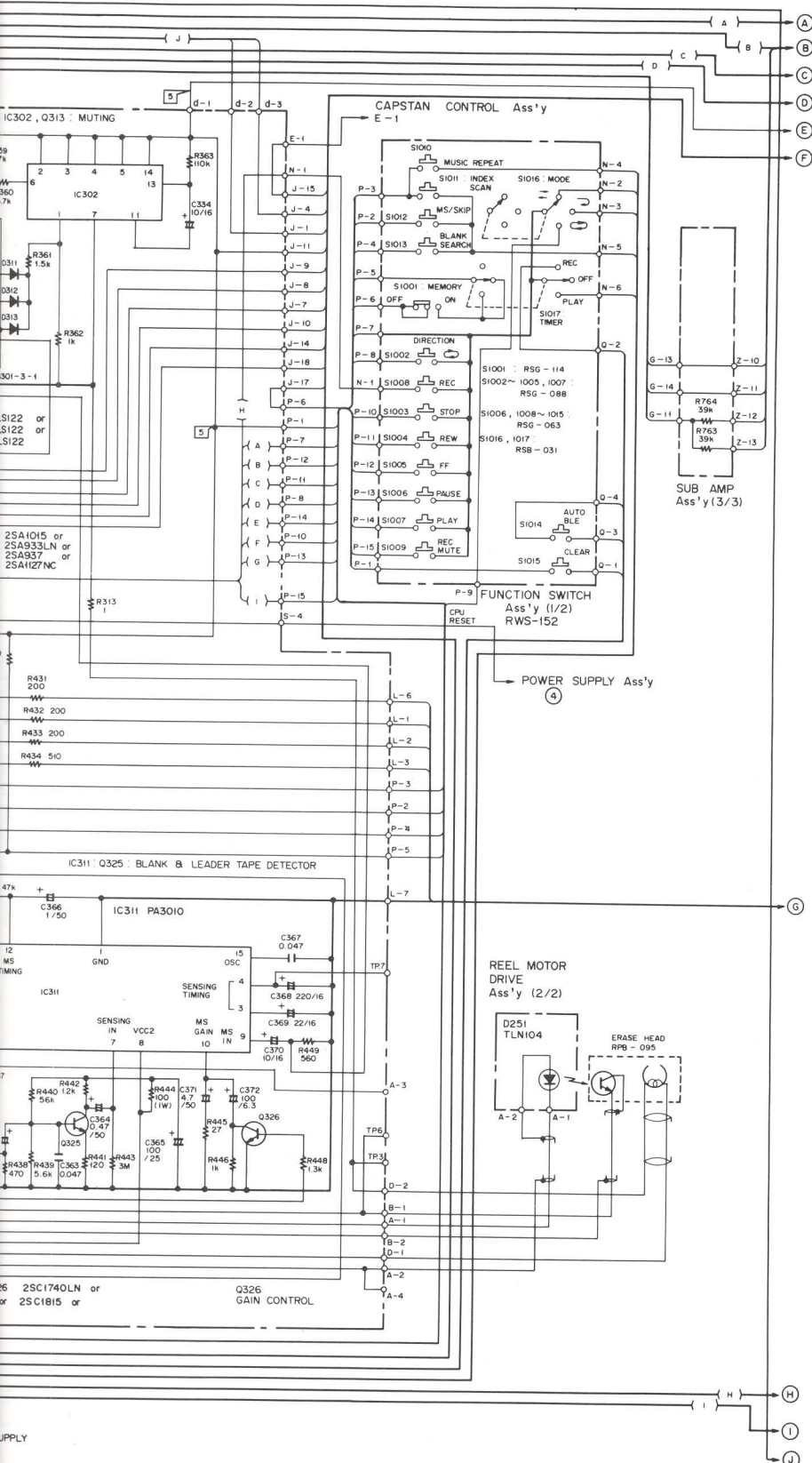
FWD E-6  
 HALF E-3  
 SOL\_R E-7  
 SOL\_L E-4  
 SOL\_L E-5  
 REC\_DET E-8

CAPSTAN Ass'y  
 E-2 GND

POWER SUPPLY Ass'y  
 7

POWER SUPPLY  
 4





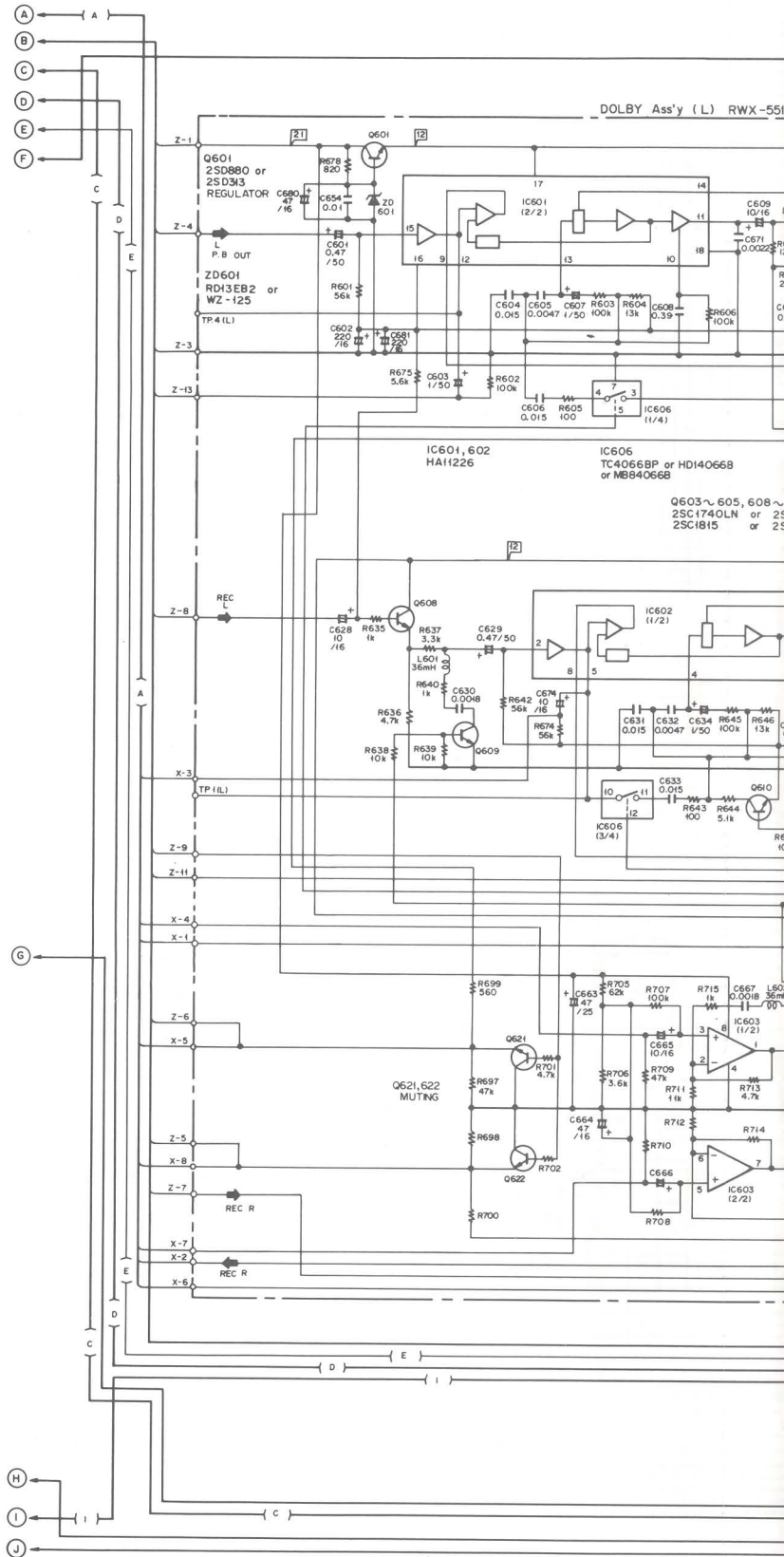
**SCHEMATIC DIAGRAM**

**CT-9R** / KU

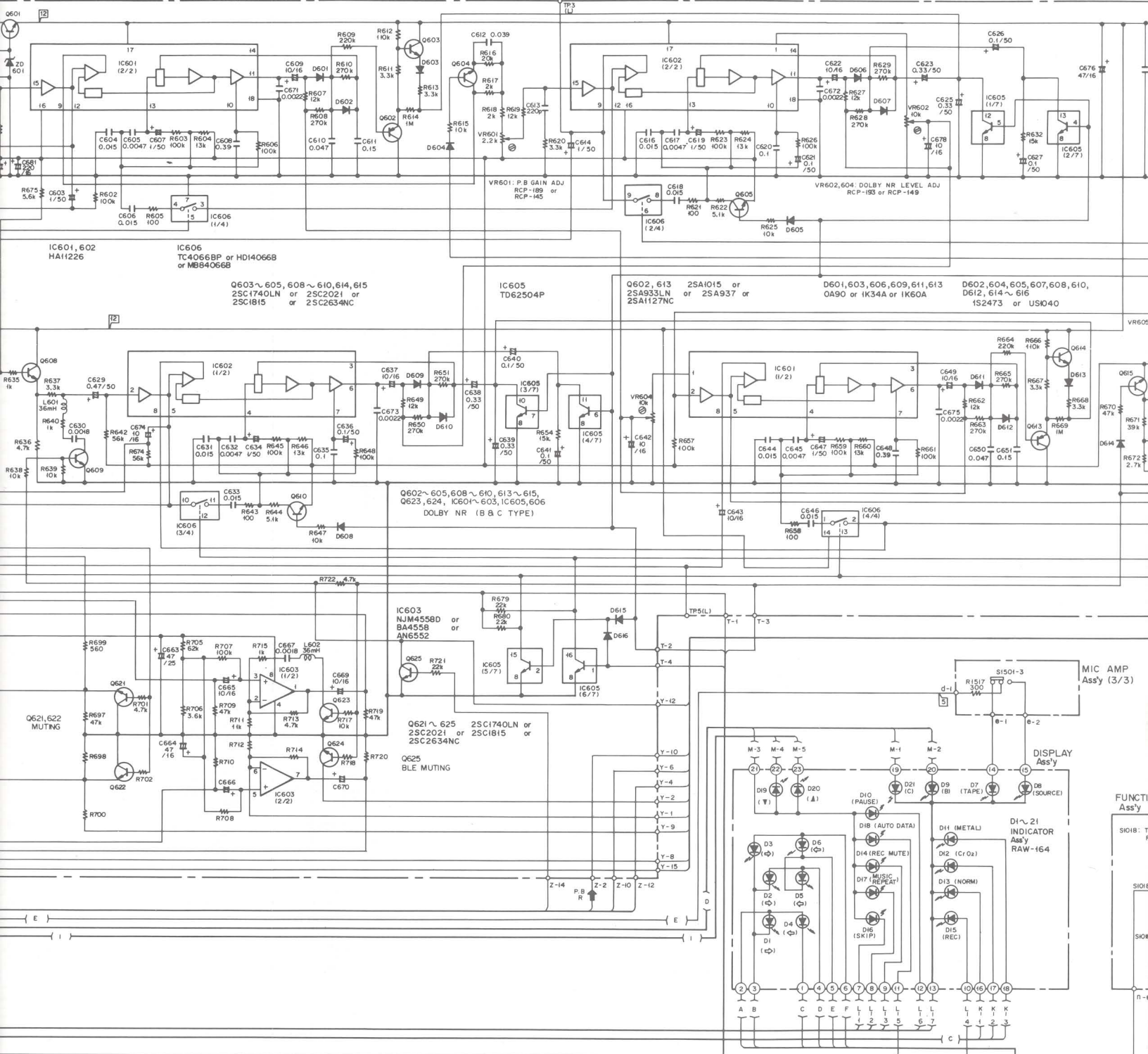
**3** DOLBY & INDICATOR SECTION

 **PIONEER®**

## 3 DOLBY & INDICATOR SECTION



DOLBY Ass'y (L) RWX-551



IC601, 602  
HA11226

IC606  
TC4066BP or HD14066B  
or MB84066B

Q603 ~ 605, 608 ~ 610, 614, 615  
2SC1740LN or 2SC2021 or  
2SC1815 or 2SC2634NC

IC605  
TD62504P

Q602, 613  
2SA1015 or  
2SA933LN or 2SA937 or  
2SA1127NC

D601, 603, 606, 609, 611, 613  
0A90 or 1K34A or 1K60A

D602, 604, 605, 607, 608, 610,  
D612, 614 ~ 616  
1S2473 or US1040

Q602 ~ 605, 608 ~ 610, 613 ~ 615,  
Q623, 624, IC601 ~ 603, IC605, 606  
DOLBY NR (B & C TYPE)

IC603  
NJM4558D  
BA4558  
AN6552

Q621 ~ 625  
2SC1740LN or  
2SC2021 or 2SC1815 or  
2SC2634NC

Q625  
BLE MUTING

MIC AMP  
Ass'y (3/3)

DISPLAY  
Ass'y

FUNCTION  
Ass'y

SI018: T

SI018: F

SI018: S

SI018: R

SI018: G

SI018: B

SI018: Y

SI018: C

SI018: W

SI018: M

SI018: R

SI018: G

SI018: B

SI018: Y

SI018: C

SI018: W

SI018: M

SI018: R

SI018: G

SI018: B

SI018: Y

SI018: C

SI018: W

SI018: M

SI018: R

SI018: G

SI018: B

SI018: Y

SI018: C

SI018: W

SI018: M

SI018: R

SI018: G

SI018: B

SI018: Y

SI018: C

SI018: W

SI018: M

SI018: R

SI018: G

SI018: B

SI018: Y

SI018: C

SI018: W

SI018: M

SI018: R

SI018: G

SI018: B

SI018: Y

SI018: C

SI018: W

SI018: M

SI018: R

SI018: G

SI018: B

SI018: Y

SI018: C

SI018: W

SI018: M

SI018: R

SI018: G

SI018: B

SI018: Y

SI018: C

SI018: W

SI018: M

SI018: R

SI018: G

SI018: B

SI018: Y

SI018: C

SI018: W

SI018: M

SI018: R

SI018: G

SI018: B

SI018: Y

SI018: C

SI018: W

SI018: M

SI018: R

SI018: G

SI018: B

SI018: Y

SI018: C

SI018: W

SI018: M

SI018: R

SI018: G

SI018: B

SI018: Y

SI018: C

SI018: W

SI018: M

SI018: R

SI018: G

SI018: B

SI018: Y

SI018: C

SI018: W

SI018: M

SI018: R

SI018: G

SI018: B

SI018: Y

SI018: C

SI018: W

SI018: M

SI018: R

SI018: G

SI018: B

SI018: Y

SI018: C

SI018: W

SI018: M

SI018: R

SI018: G

SI018: B

SI018: Y

SI018: C

SI018: W

SI018: M

SI018: R

SI018: G

SI018: B

SI018: Y

SI018: C

SI018: W

SI018: M

SI018: R

SI018: G

SI018: B

SI018: Y

SI018: C

SI018: W

SI018: M

SI018: R

SI018: G

SI018: B

SI018: Y

SI018: C

SI018: W

SI018: M

SI018: R

SI018: G

SI018: B

SI018: Y

SI018: C

SI018: W

SI018: M

SI018: R

SI018: G

SI018: B

SI018: Y

SI018: C

SI018: W

SI018: M

SI018: R

SI018: G

SI018: B

SI018: Y

SI018: C

SI018: W

SI018: M

SI018: R

SI018: G

SI018: B

SI018: Y

SI018: C

SI018: W

SI018: M

SI018: R

SI018: G

SI018: B

SI018: Y

SI018: C

SI018: W

SI018: M

SI018: R

SI018: G

SI018: B

SI018: Y

SI018: C

SI018: W

SI018: M

SI018: R

SI018: G

SI018: B

SI018: Y

SI018: C

SI018: W

SI018: M

SI018: R

SI018: G

SI018: B

SI018: Y

SI018: C

SI018: W

SI018: M

SI018: R

SI018: G

SI018: B

SI018: Y

SI018: C

SI018: W

SI018: M

SI018: R

SI018: G

SI018: B

SI018: Y

SI018: C

SI018: W

SI018: M

SI018: R

SI018: G

SI018: B

SI018: Y

SI018: C

SI018: W

SI018: M

SI018: R

SI018: G

SI018: B

SI018: Y

SI018: C

SI018: W

SI018: M

SI018: R

SI018: G

SI018: B

SI018: Y

SI018: C

SI018: W

SI018: M

SI018: R

SI018: G

SI018: B

SI018: Y

SI018: C

SI018: W

SI018: M

SI018: R

SI018: G

SI018: B

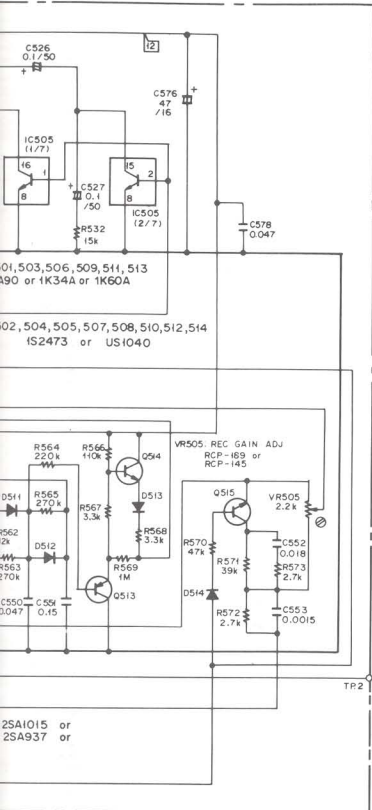
SI018: Y

SI018: C

SI018: W





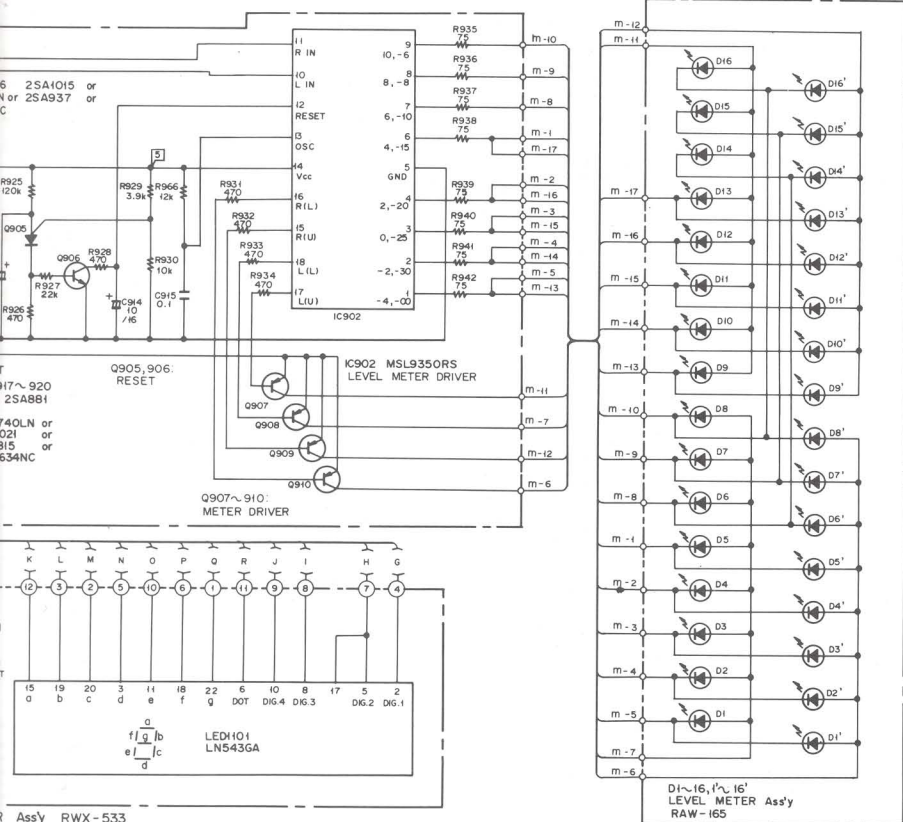


1. RESISTORS:  
Indicated in  $\Omega$ ,  $\frac{1}{4}W$ ,  $\pm 5\%$  tolerance unless otherwise noted k : k $\Omega$ ,  
M : M $\Omega$ , (F) :  $\pm 1\%$ , (G) :  $\pm 2\%$ , (K) :  $\pm 10\%$ , (M) :  $\pm 20\%$  tolerance
2. CAPACITORS:  
Indicated in capacity ( $\mu F$ )/voltage (V) unless otherwise noted p : pF  
Indication without voltage is 50V except electrolytic capacitor.
3. VOLTAGE  
 : DC voltage (V) at no input signal
4. OTHERS:  
 : Signal route.  
 : Adjusting point.  
The mark found on some component parts indicates the importance of the safety factor of the part. Therefore, when replacing, be sure to use parts of identical designation.

SWITCHES:  
S1018 : TAPE CAPACITY 46L - 46 - 60 - 90  
S1101 : RESET ON - OFF  
S1102 : TAPE / TIME SELECTOR TAPE - TIME  
S1501 : MONITOR TAPE - SOURCE

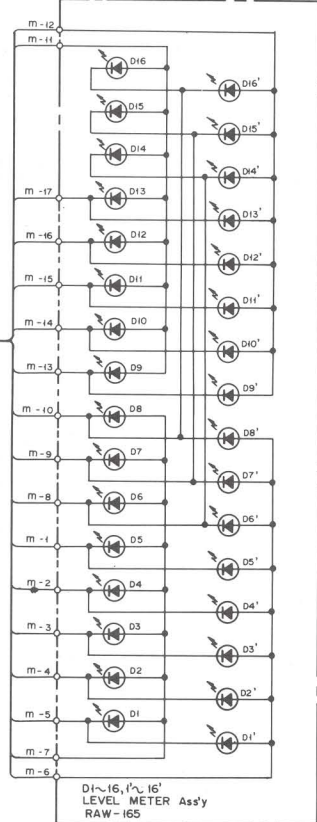
The underlined indicates the switch position.

This is the basic schematic diagram, but the actual circuit may vary due to improvements in design.



Ass'y RWX-533

LEVEL METER Ass'y RAW-165



D1~16, D16'  
LEVEL METER Ass'y  
RAW-165